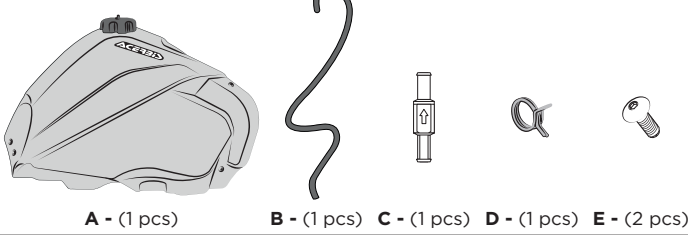


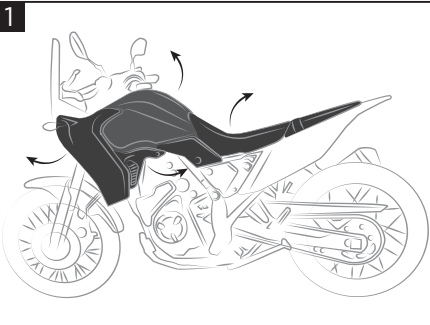
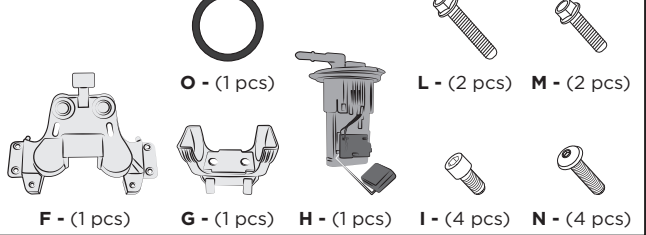
FUEL TANK TENERÉ 700 22 L SERBATOIO TENERÉ 700 22 L

COD. 500008005 REV.5

ACERBIS PARTS



OEM

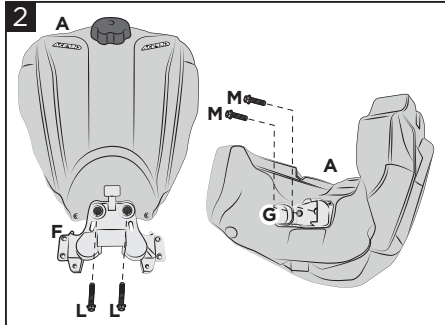


1
Remove the original fuel tank by disassembling plastics and seat shown in the figure.
Rimuovere serbatoio originale, smontando plastiche e sella indicate in figura.

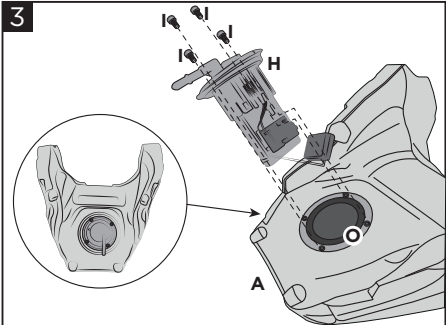
WARNING

Durante il rimontaggio suggeriamo vivamente di utilizzare un grasso anti-grippante su tutte le viti.

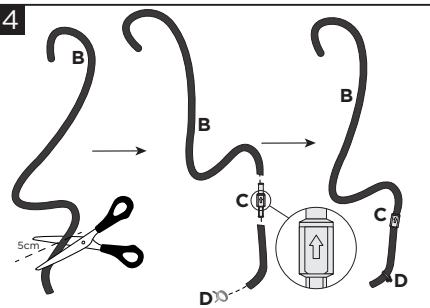
ATTENTION -Highly recommended to use anti-seize lubricant on all bolt threads going into the tank's metal inserts when reassembling.



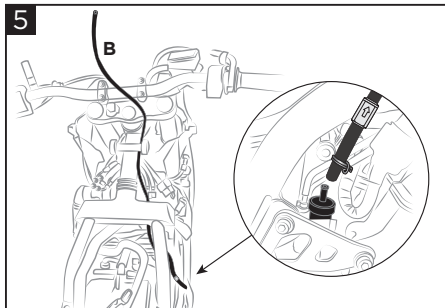
2
After disassembling from the original tank the supports (F) and (G), refit them on the tank Acerbis (A), using the original screws (L) and (M).
Dopo aver smontato dal serbatoio originale i supporti (F) e (G), rimontarli sul serbatoio Acerbis (A), tramite le viti originali (L) ed (M).



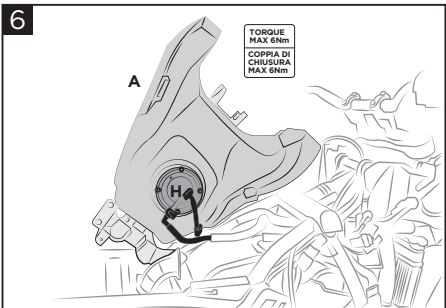
3
Remove the pump from the original tank injection (H) and refit it on the tank Acerbis (A), by means of the screws (I) (Torque Max 6Nm) and original gasket. Make sure the connector is facing the towards the rear of the motorcycle (see figure).
Smontare dal serbatoio originale la pompa d'iniezione (H) e rimontarla sul serbatoio Acerbis (A), tramite le viti (I) (coppia di chiusura Max 6Nm) e guarnizione originale (O). Assicurarsi che il connettore sia rivolto nel verso posteriore della moto (vedi figura).



4
Cut 5 cm from the tube (B) and join the two parts through the valve (C) with the arrow pointing upward. Insert the self-locking clips (D).
Tagliare 5 cm dal tubo (B) e unire le due parti tramite la valvola (C) con la freccia rivolta verso l'alto. Inserire la clips autoserrante (D).



5
Attach the cable (B) to the motorcycle and position it as in the figure. Secure by tightening the self-locking clamp (D).
Posizionare il tubo di sfiato (B) come mostrato in figura, facendo attenzione che non tocchi parti calde del motore. Poi collegare l'estremità del tubo al connettore originale, posizionare infine la clips (D) (vedi figura).



6
Connect the connectors to the pump (H) first to mount the tank (A). ATTENTION: when tightening maximum torque spec 6Nm.
Collegare i connettori alla pompa (H) prima di montare il serbatoio (A). ATTENZIONE: rispettare coppia di chiusura indicata in figura.

WARNING!

It is EXTREMELY IMPORTANT that the fuel tank is properly installed. To ensure proper installation, it is STRONGLY RECOMMENDED that the tank is installed only by a qualified OEM licensed dealership mechanic. Improper installation could result in serious injuries or death.

If self-installed NOTE THE FOLLOWING: particular attention must be paid to excessive fuel line length and fuel line proximity to hot engine areas and pipes to prevent fire.

Clean tank interior thoroughly before installation. Install this fuel tank only in a well ventilated area, as gasoline fumes are extremely dangerous. Do not start or operate the vehicle if there are any fuel leaks! Read all instructions first before beginning installation.

Acerbis recommends that installation must be done by a licensed mechanic and that only Acerbis' original parts are used during installation. Acerbis makes no guarantees or representations, express or implied, regarding the fitment of its product for any particular purpose. Acerbis makes no guarantees or representations, express or implied, regarding the extent to which its products protect individuals or property from injury or death or damage.

EUROPE

ACERBIS ITALIA S.P.A.
VIA SERIO, 37
24021 ALBINO (BG)
ITALY

U.S.A.

ACERBIS U.S.A. INC.
MAIL P.O. BOX 2030
SUN VALLEY, ID 83353
SHIP 110 LINDAY CIRCLE
KETCHUM, ID 83340
U.S.A.

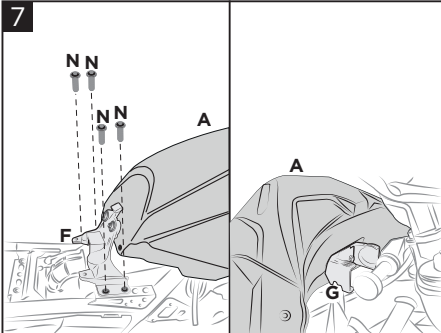
UNITED KINGDOM

ACERBIS U.K LTD
UNIT 2 LUTON ENTERPRISE PARK
SUNDON PARK ROAD
LUTON, BEDFORDSHIRE LU3 3GU
GREAT BRITAIN

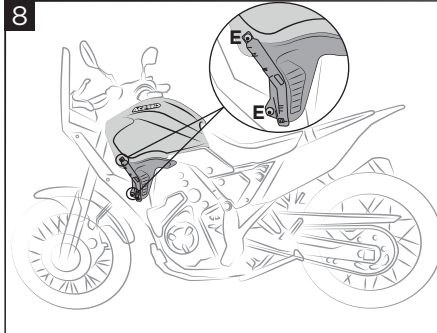
FUEL TANK TĒNÉRÉ 700 22 L

SERBATOIO TĒNÉRÉ 700 22 L

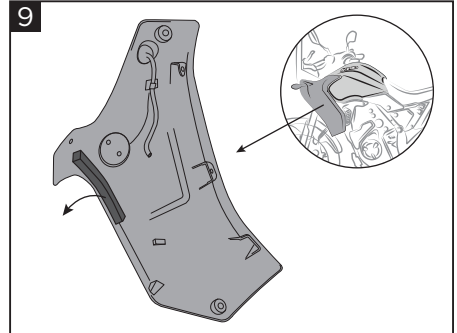
COD. 500008005 REV.5



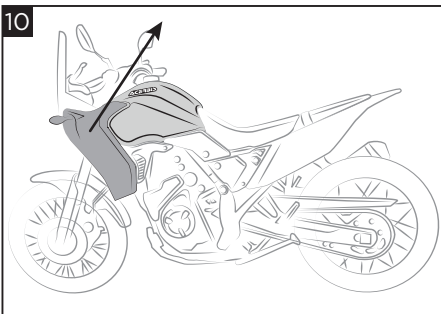
Mount the Acerbis fuel tank (A), fitting the attachment (G) and fixing the attachment (F) using the original screws (N).
 Montare il serbatoio Acerbis (A), incastrando l'attacco (G) e fissando l'attacco (F) tramite le viti originali (N).



Reassemble the original plastics by pay attention to not confuse the screws. ATTENTION: replace the plastic clips on the side panels with the screws (E) included in the kit.
 Rimontare le plastiche originali.
ATTENZIONE: sostituire le clips dei fianchetti in plastica con le viti (E) incluse nel kit.



If present, remove the adhesive sponge from both side panels before reassemble them. ATTENTION: Failure to remove the sponge prevents proper mating of the side panels to the fuel tank.
 Se presente, rimuovere la spugna adesiva da entrambi i fianchetti prima di rimontarli.
ATTENZIONE: la mancata rimozione della spugna impedisce un accoppiamento corretto dei fianchetti al serbatoio.



ATTENTION: Refit the side panels following the direction of the arrow as indicated in the figure.
ATTENZIONE: Rimontare i fianchetti seguendo il verso della freccia come indicato in figura.

DISCLAIMER

Due to uncontrolled variables in the manufacturing process of rotational molded fuel tanks, the fuel tank may vary in size and shape by up to 7% of the manufacturer's original listed capacity.

LIBERATORIA

A causa di variabili inponderabili nel processo di stampaggio rotazionale dei serbatoi, questi possono differire in forma e dimensioni fino al 7% rispetto alla capacità dichiarata.

FOR COMPETITION USE ONLY - SOLO PER USO MOTOCICLISTICO

WARNING!

It is **EXTREMELY IMPORTANT** that the fuel tank is properly installed. To ensure proper installation, it is **STRONGLY RECOMMENDED** that the tank is installed only by a qualified OEM licensed dealership mechanic. Improper installation could result in serious injuries or death.

If self-installed **NOTE THE FOLLOWING:** particular attention must be paid to excessive fuel line length and fuel line proximity to hot engine areas and pipes to prevent fire.

Clean tank interior thoroughly before installation. Install this fuel tank only in a well ventilated area, as gasoline fumes are extremely dangerous. Do not start or operate the vehicle if there are any fuel leaks! Read all instructions first before beginning installation.

Acerbis recommends that installation must be done by a licensed mechanic and that only Acerbis' original parts are used during installation. Acerbis makes no guarantees or representations, express or implied, regarding the fitment of its product for any particular purpose. Acerbis makes no guarantees or representations, express or implied, regarding the extent to which its products protect individuals or property from injury or death or damage.

EUROPE

ACERBIS ITALIA S.P.A.
 VIA SERIO, 37
 24021 ALBINO (BG)
 ITALY

U.S.A.

ACERBIS U.S.A. INC.
 MAIL P.O. BOX 2030
 SUN VALLEY, ID 83353
 SHIP 110 LINDAY CIRCLE
 KETCHUM, ID 83340
 U.S.A.

UNITED KINGDOM

ACERBIS U.K LTD
 UNIT 2 LUTON ENTERPRISE PARK
 SUNDON PARK ROAD
 LUTON, BEDFORDSHIRE LU3 3GU
 GREAT BRITAIN