

LITHIUM

LiFePO4

LITHIUM (LiFePO4) | High Performance

REF **BSLi-10**



12v

VOLTAGE

72Wh

ENERGY

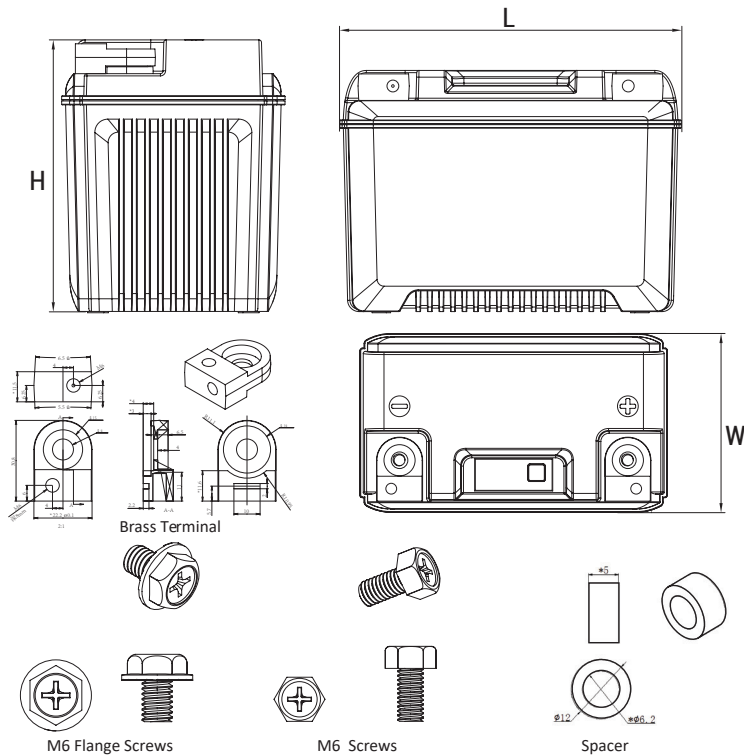
360A

CCA - A (EN)

DIMENSIONS & WEIGHT

Length (L):	148mm ±1mm
Width (W):	86mm ±1mm
Height (H):	105mm ±2mm
Weight:	1.28kg (tolerance ±3%)

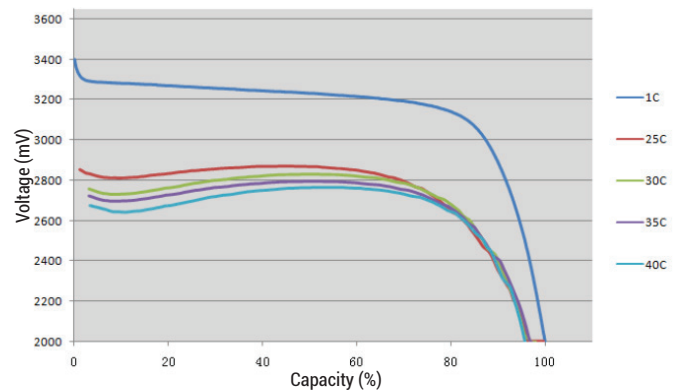
DRAWINGS



SPECIFICATIONS

Capacity:	6Ah
Internal Resistance:	<10mΩ
Working Voltage:	10V~14.4V
Operating temp. range	
Charge temperature:	0°C to 45°C
Discharge temperature:	-20°C to 55°C
Storage temperature:	0°C to 30°C
Charge Current (A):	3A (0.5C), Max. 12A (2C)
Charge Retention:	30 days >97%
Standard Discharge	
Continuous:	240A (40C)
Maximum:	360A (60C) ≤15S
CCA (-18°C storage for 20h):	180A (30C) ≤15S
Cycle Life:	2000 cycles

DISCHARGING GRAPH



REPLACEMENTS

SLA	MF	DRY	DRY
BTX20L	BTX20L-BS	B50-N18L-A	51913
BTX20HL	BTX20HL-BS	B50-N18L-A2/	51814
BTX24HL	BTX24HL-BS	A3/AT	
SLA12-19	SLA12-19-BS		
51913			

CERTIFICATIONS

UN38.3